

Free eNewsletter

Enter your E-mail



**Shop By Type**

- Cable Assemblies
- Adapters
- Connectors
- Rack Panels
- Bulk Cable
- Tools
- Switch Boxes
- Network Cards
- Hubs & Switches
- Converters & Transceivers
- KVM Switches
- Antennas

- Overstock/Sale Items
- Top 10 Products

**Shop By Category**

- IEEE-488 GPIB
- Coaxial
- Monitor, Video
- Fiber Optic
- D-Subminiature
- Modular
- USB, DIN, Firewire, SCSI, and Others
- Wireless Infrastructure
- Weatherproof Enclosures
- Networking and Other Equipment

**Product Wizards**

- Cable Assemblies
- Adapters
- Connectors
- Rack Panels
- Tools
- Switch Boxes
- Network Cards
- Hubs or Switches
- Ethernet Converters
- KVM Switches

**Technical Resources**

- FAQs
- Connector Chart
- Glossary
- Tutorials
- Tips and Videos
- White Papers
- Catalog Downloads
- eNewsletter Archive

You Are Here: [Home](#) > [Fiber Optic](#) > [Adapters, Couplers](#) > [FOA-600](#) > **FOA-600**

## Fiber Coupler, MT-RJ / MT-RJ

L-com's MTRJ coupler fits into the rectangular hole used with traditional SC couplers. The FOA-600 features a lightweight yet durable plastic body. Use of this coupler requires one of the two mating MTRJ connectors to contain alignment pins.



### Features for this Fiber Optic product

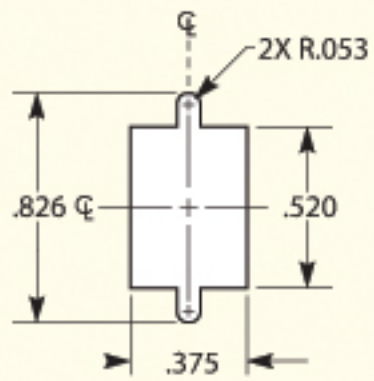
- Used to connect two MTRJ male cables together
- Plastic body provides a light weight yet durable solution
- Dust caps protect against debris and contamination
- Innovative body design fits into standard SC panel cut outs
- Order online today!

### Details for this Fiber Optic product

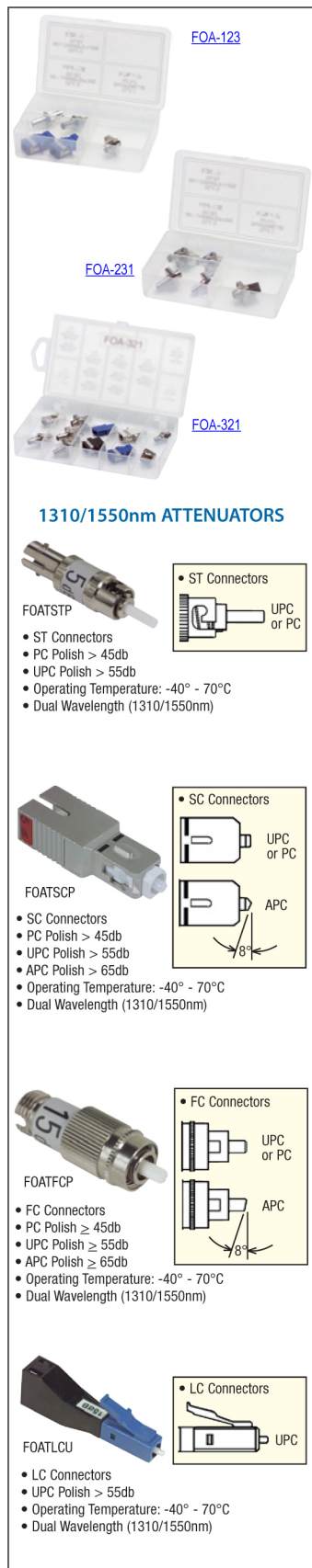
L-com Item #	FOA-600
Manufacturer	L-com
ASIN # ( <a href="#">More</a> )	B000AAHQ8O
UPC # ( <a href="#">More</a> )	822335023390
RoHS Status	<a href="#">RoHS Compliant</a> ( <a href="#">More</a> )
Alignment Sleeve	None

- [Diagram](#)
- [Catalog Page](#)
- [Catalog Page](#)
- [2D Drawing \(.pdf\)](#)
- [3D CAD Model \(.step\)](#)

## ADAPTOR MOUNTING DIAGRAM



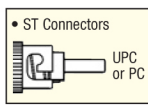
Dimensions are in inches.



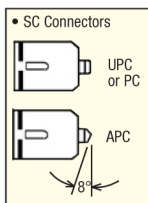
**1310/1550nm ATTENUATORS**



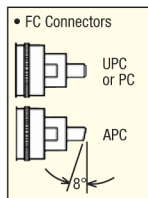
- FOATSTP**
- ST Connectors
  - PC Polish > 45db
  - UPC Polish > 55db
  - Operating Temperature: -40° - 70°C
  - Dual Wavelength (1310/1550nm)



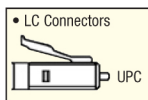
- FOATSCP**
- SC Connectors
  - PC Polish > 45db
  - UPC Polish > 55db
  - APC Polish > 65db
  - Operating Temperature: -40° - 70°C
  - Dual Wavelength (1310/1550nm)



- FOATFCP**
- FC Connectors
  - PC Polish ≥ 45db
  - UPC Polish ≥ 55db
  - APC Polish ≥ 65db
  - Operating Temperature: -40° - 70°C
  - Dual Wavelength (1310/1550nm)



- FOATLCU**
- LC Connectors
  - UPC Polish > 55db
  - Operating Temperature: -40° - 70°C
  - Dual Wavelength (1310/1550nm)



Item #	Description	1-9	10-24	25-99	100-249	250-499
--------	-------------	-----	-------	-------	---------	---------

**Fiber Optic Bulkhead Coupler Kit - Great for Tool Kits**

The FOA-123 Fiber Optic Bulkhead Coupler Kit comes complete with two ST-ST couplers (FOA-001), two SC-SC couplers (FOA-002), one FC-FC coupler (FOA-003) and a handy four compartment carrying case.

[FOA-123](#) Fiber Optic Bulkhead Coupler Kit

**Fiber Optic Adapter Kit - Versatile and Handy**

This kit contains commonly used fiber adapters in a convenient four compartment carrying case for easy storage. All fiber adapters are simplex and utilize a bronze alignment sleeve. This allows adapting between all the popular interfaces such as ST, SC and FC. Fiber adapter part numbers included in the kit are FOA-201 (ST-SC), FOA-301 (ST-FC) and FOA-302 (SC-FC).

[FOA-231](#) Fiber Optic Adapter Kit

**Fiber Optic Coupler / Adapter Kit - Complete Flexibility**

This kit contains one each of all the fiber couplers in FOA-123 and fiber adapters in FOA-231 plus FOA-004 (SMA-SMA), FOA-500A (LC-LC), FOA-701 (MU-MU), FOA-600 (MT-RJ-MT-RJ) and FOA-012 (MPO-MPO). This is the most complete kit of fiber adapters and couplers we offer allowing connections between all like interfaces and adapting from one style interface to another.

[FOA-321](#) Fiber Optic Coupler / Adapter Kit

**Single mode Fiber Optic Attenuators - ST, SC, FC or LC Connectors**

L-com offers a series of single mode (1310/1550 nm) fiber optic attenuators. Models listed feature simple and rugged structure utilizing ion doped fiber as the attenuating material. Choose from PC, UPC, or APC polish. Attenuation values other than those listed can be quoted on a custom basis.

**RoHS Compliant Dual Wavelength Fiber Attenuators with ST Connectors, PC and UPC**

FOATSTP-05D	Standard Fiber Attenuator, ST / PC, 5db
FOATSTP-10D	Standard Fiber Attenuator, ST / PC, 10db
FOATSTP-15D	Standard Fiber Attenuator, ST / PC, 15db
FOATSTP-20D	Standard Fiber Attenuator, ST / PC, 20db
FOATSTP-25D	Standard Fiber Attenuator, ST / PC, 25db
FOATSTU-05D	Premium Fiber Attenuator, ST / UPC, 5db
FOATSTU-10D	Premium Fiber Attenuator, ST / UPC, 10db
FOATSTU-15D	Premium Fiber Attenuator, ST / UPC, 15db
FOATSTU-20D	Premium Fiber Attenuator, ST / UPC, 20db
FOATSTU-25D	Premium Fiber Attenuator, ST / UPC, 25db

**RoHS Compliant Dual Wavelength Fiber Attenuators with SC Connectors, PC, UPC and APC**

FOATSCP-05D	Standard Fiber Attenuator, SC / PC, 5db
FOATSCP-10D	Standard Fiber Attenuator, SC / PC, 10db
FOATSCP-15D	Standard Fiber Attenuator, SC / PC, 15db
FOATSCP-20D	Standard Fiber Attenuator, SC / PC, 20db
FOATSCP-25D	Standard Fiber Attenuator, SC / PC, 25db
FOATSCU-05D	Premium Fiber Attenuator, SC / UPC, 5db
FOATSCU-10D	Premium Fiber Attenuator, SC / UPC, 10db
FOATSCU-15D	Premium Fiber Attenuator, SC / UPC, 15db
FOATSCU-20D	Premium Fiber Attenuator, SC / UPC, 20db
FOATSCU-25D	Premium Fiber Attenuator, SC / UPC, 25db
FOATSCA-05D	Precision Fiber Attenuator, SC / APC, 5db
FOATSCA-10D	Precision Fiber Attenuator, SC / APC, 10db
FOATSCA-15D	Precision Fiber Attenuator, SC / APC, 15db
FOATSCA-20D	Precision Fiber Attenuator, SC / APC, 20db
FOATSCA-25D	Precision Fiber Attenuator, SC / APC, 25db

**RoHS Compliant Dual Wavelength Fiber Attenuators with FC Connectors**

FOATFCP-05D	Standard Fiber Attenuator, FC / PC, 5db
FOATFCP-10D	Standard Fiber Attenuator, FC / PC, 10db
FOATFCP-15D	Standard Fiber Attenuator, FC / PC, 15db
FOATFCP-20D	Standard Fiber Attenuator, FC / PC, 20db
FOATFCP-25D	Standard Fiber Attenuator, FC / PC, 25db
FOATFCU-05D	Premium Fiber Attenuator, FC / UPC, 5db
FOATFCU-10D	Premium Fiber Attenuator, FC / UPC, 10db
FOATFCU-15D	Premium Fiber Attenuator, FC / UPC, 15db
FOATFCU-20D	Premium Fiber Attenuator, FC / UPC, 20db
FOATFCU-25D	Premium Fiber Attenuator, FC / UPC, 25db
FOATFCA-05D	Precision Fiber Attenuator, FC / APC, 5db
FOATFCA-10D	Precision Fiber Attenuator, FC / APC, 10db
FOATFCA-15D	Precision Fiber Attenuator, FC / APC, 15db
FOATFCA-20D	Precision Fiber Attenuator, FC / APC, 20db
FOATFCA-25D	Precision Fiber Attenuator, FC / APC, 25db

**RoHS Compliant Dual Wavelength Fiber Attenuators with LC Connectors**

FOATLCU-05D	Premium Fiber Attenuator, LC / UPC, 5db
FOATLCU-10D	Premium Fiber Attenuator, LC / UPC, 10db
FOATLCU-15D	Premium Fiber Attenuator, LC / UPC, 15db
FOATLCU-20D	Premium Fiber Attenuator, LC / UPC, 20db
FOATLCU-25D	Premium Fiber Attenuator, LC / UPC, 25db



**Tip** *What are attenuators used for?*

In some cases an optical light source can overload a detector to the point where it cannot distinguish between the presence or absence of light pulses. An attenuator can reduce the amount of light thereby eliminating the problem. Attenuators are also used to control the distribution ratio in the construction of TREE TYPE topology systems.